

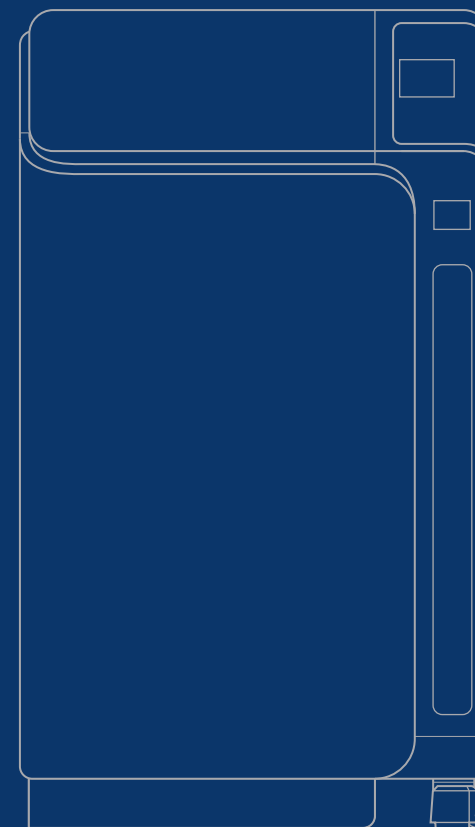
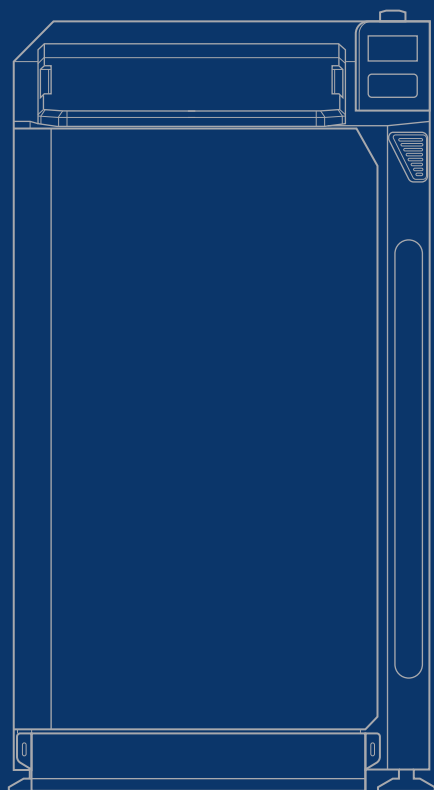
# Food Waste Smart Bin Surface Graphic Design Specifications

回收基金特邀項目

支援住宅樓宇採用智能回收箱技術以收集及回收廚餘

Recycling Fund Solicitation Scheme

Supporting Residential Buildings in Adopting Smart Bins Technology  
in Food Waste Collection and Recycling



For unifying the image of the Food Waste Smart Bins, all surface graphics on the bins are standardized and should be designed, produced and mapped based on the following specifications. The specifications are divided into two sections:

### **Surface graphic design specifications**

Using three smart bin models (Be Green, Cornerstone and Pair) as examples to illustrate the basic specifications and necessary variations according to different models of smart bin.

### **Surface graphic artwork index**

A table to show all the surface graphic included in the artwork package for adaptation.

## **Table of Contents**

---

### **Surface graphic design specifications**

#### **Front Panel**

1. Food Waste Title Lockup
2. Food Waste Logo

#### **Side Panels**

3. Endorsement Logo Lockups
4. Pull Sign on Tray
5. Tray Title Lockup

#### **Top Panel — Cover**

6. Operation Hours Lockup
7. Sorting Information Lockup

#### **Top Panel — Screen Casing Panel**

8. Green\$ App Download QR Code Bubble Sticker
9. Green\$ App QR Code Scanning Lockup
10. Bin Number and Hotline Information Lockup (Editable)

### **Surface graphic artwork index**

---

# Front Panel

## Panel Surface Colour

Powder Coating in  Pantone Cool Gray 3C

### ① Food Waste Title Lockup

Graphic Size 107mm(h) x 221mm(w)

Position Top left hand corner of the **Front Panel** and 110mm below the top edge of the panel.  
Distance from the left varies for different models of smart bin. Please refer to the examples on the right for reference.

Colour  K80 (Pantone Cool Gray 10C)

Production Inkjet on matt white sticker and computer cut-out lettering

### ② Food Waste Icon

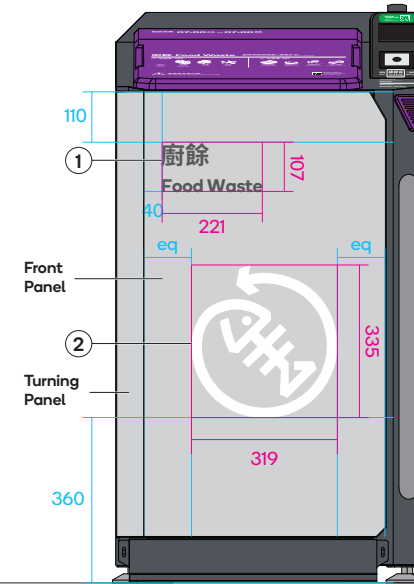
Graphic Size 335mm(h) x 319mm(w)

Position 360mm above the ground, and horizontally centered with the **Front Panel** (Ignore turning part on the left, if any. For rounded edge, visually centered with the panel).

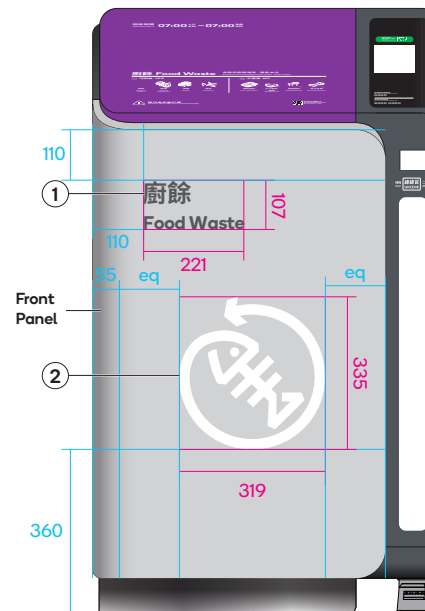
Colour  Matte white

Production Computer cut-out icon in matte white sticker

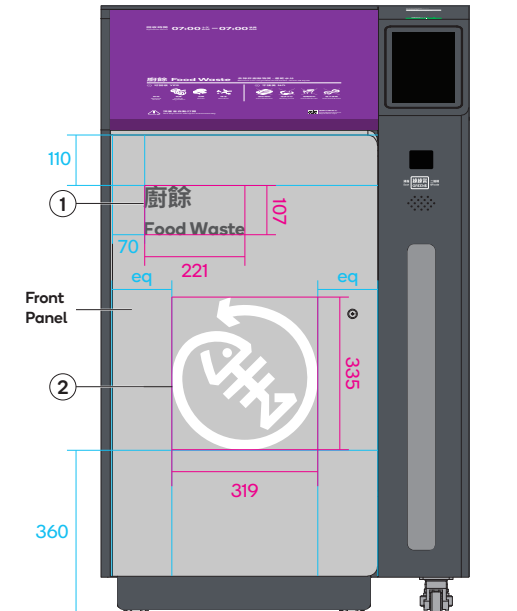
Pair



Cornerstone



Be Green



## Legend

Measurement unit: mm

— Graphic Alignments

— Sticker Dimensions

## Side Panels

### Panel Surface Colour

Powder Coating in  Pantone Cool Gray 11C

### ③ Endorsement Logo Lockups

- Graphic Size** Measured by the height and width of the lockup. Always keeping the same size for both **Side Panels**.
- Position** Align 230mm above the ground, and horizontally centered with the **Side Panel**. If the top of the lockup reach above 535mm from the ground, scale down the size of the lockup to fit between the height of 230mm and 535mm from the ground (see Pair example).
- Colour**  Opaque White
- Production** Inkjet on UV super clear transparent sticker with protective coating and computer cut round corners.
- Remarks** *The sequence of endorsement logos should be arranged in this order:*  
 1. Funded by: Recycling Fund (Always remains on top of other endorsement logos)  
 2. Supported by: EPD and GREEN\$  
 3. Operated by: Logo(s) of grantee

### ④ Pull Sign on Tray (Applicable for smart bin with side tray)

- Graphic Size** 50mm(h) x 32mm(w)
- Position** 35mm below the top and 35mm from the right edge of the **Tray Panel**.
- Colour**  Opaque White
- Production** Inkjet on UV super clear transparent sticker with protective coating and computer cut round corners.

### ⑤ Tray Title Lockup (Applicable for smart bin with side tray)

- Graphic Size** 32mm(h) x 60mm(w)
- Position** 35mm below the bottom and 30mm from the right edge of the **Tray Panel**.
- Colour**  Opaque White
- Production** Inkjet on UV super clear transparent sticker with protective coating and computer cut round corners.

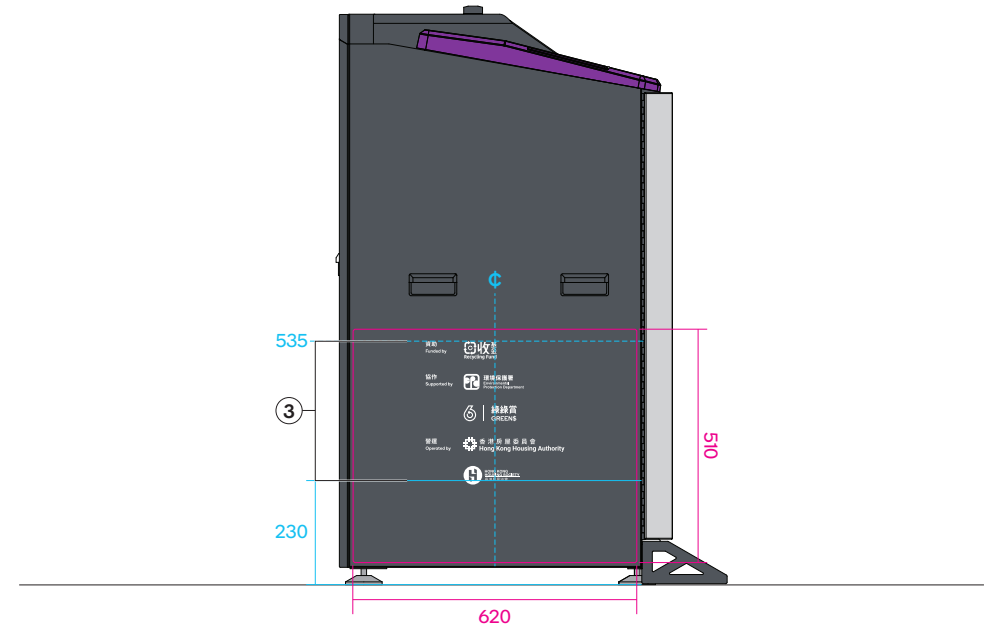
### Legend

Measurement unit: mm — Graphic Alignments — Sticker Dimensions

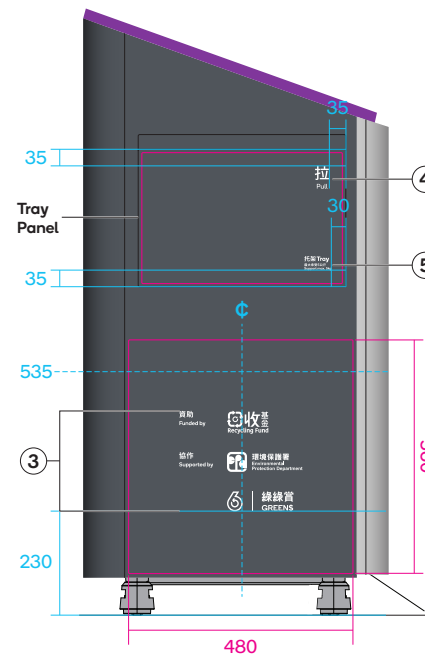
### Remarks on Sticker Positioning

The size of each sticker is slightly smaller to the surrounding edges. The margins between the sticker and surrounding edges should be evenly distributed when positioning the sticker.

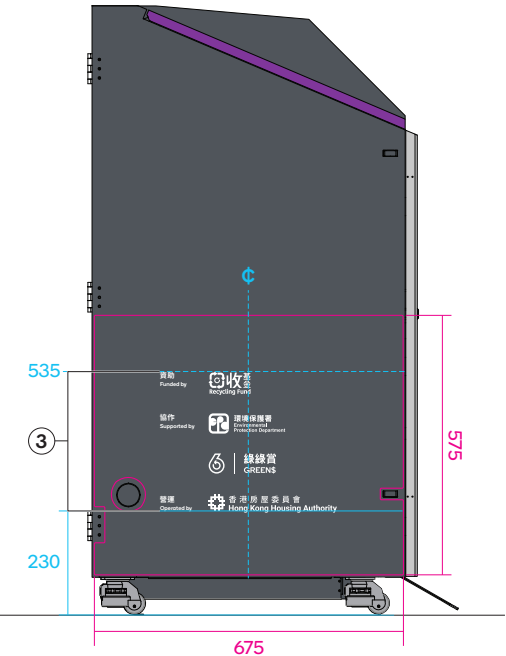
Pair (two operator logos)



Cornerstone (no operator logo)



Be Green (one operator logo)



# Top Panel — Cover

## Panel (excluding Cover)

Powder Coating in  Pantone Cool Gray 11C

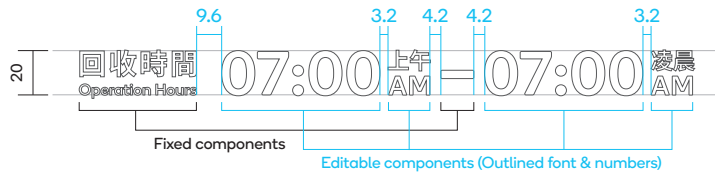
## Cover

Powder Coating in  Pantone 2593C

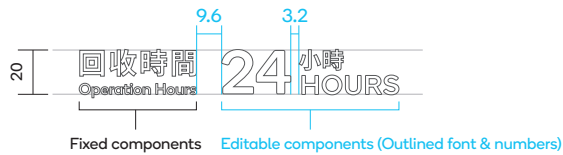
### ⑥ Operation Hours Lockup (Editable components)

**Graphic Size** 20mm, measured by the height of the lockup  
**Position** 0.15X below the top edge of Top Cover, and aligned left with Sorting Information Lockup  
**Colour**  Opaque White  
**Production** Inkjet on UV super clear transparent sticker with protective coating and computer cut round corners.  
**Remarks** Supplier shall update the information according to individual project with provided outlined fonts

Format A



Format B



### ⑦ Sorting Information Lockup

**Graphic Size** 210mm(h) x 425mm(w)  
**Position** 30mm above the bottom edge of Cover, horizontally centered with the Cover  
**Colour** Lettering and graphics in  Opaque White  
 QR code in  K80 (Pantone Cool Gray 10C) on an opaque white square background  
**Production** Inkjet on UV super clear transparent sticker with protective coating and computer cut round corners.  
**Remarks** Food Waste Source Separation QR Code shall be directed to [http://www.foodwasterecycling.hk/sourceseparation\\_tips/](http://www.foodwasterecycling.hk/sourceseparation_tips/)

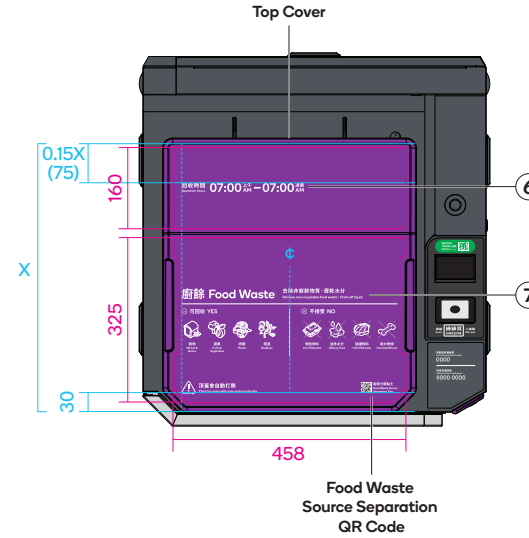
## Legend

Measurement unit: mm — — Graphic Alignments — — Sticker Dimensions

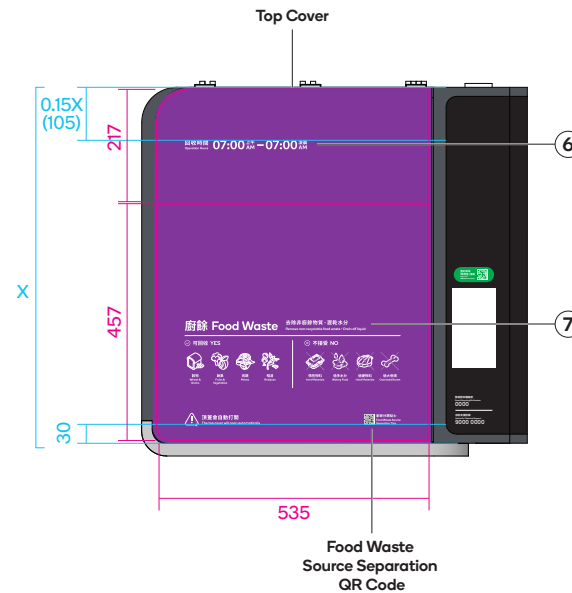
## Remarks on Sticker Positioning

The size of each sticker is slightly smaller to the surrounding edges. The margins between the sticker and surrounding edges should be evenly distributed when positioning the sticker.

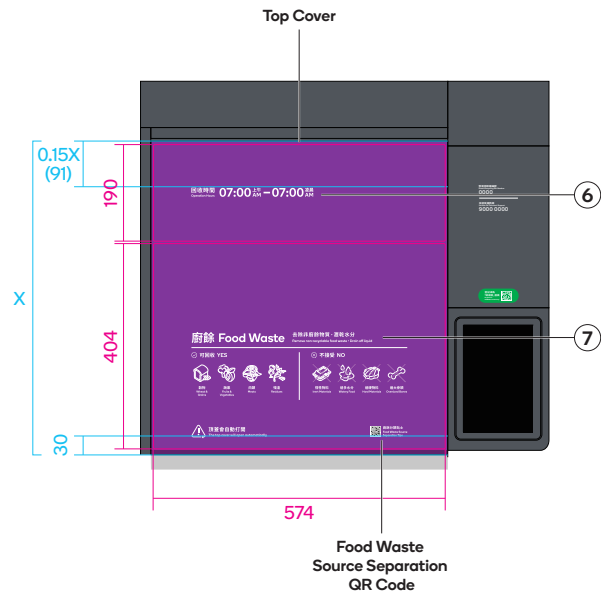
Pair



Cornerstone



Be Green



# Top Panel — Screen Casing Panel

## Panel

Powder Coating in  Pantone Cool Gray 11C

### ⑧ Green\$ App Download QR Code Bubble Sticker

**Graphic Size** 30mm(h) x 79mm(w)  
**Position** Above the **Display Screen**, and vertically centered with it. Distance between the sticker and **Display Screen** varies for different models of smart bins, please refer to the examples on the right for reference.  
**Colour**  C90 M0 Y100 K0 (Pantone 7739C)  
**Production** Inkjet on UV super clear transparent sticker with protective coating and computer cut bubble shape.  
**Remarks** The QR code shall be directed to [http://www.wastereduction.gov.hk/tc/community/greenycoins\\_mobile\\_app.html](http://www.wastereduction.gov.hk/tc/community/greenycoins_mobile_app.html)

### ⑨ Green\$ App QR Code Scanning Lockup

**Graphic Size** 26mm(h) x 78mm(w)  
**Position** Vertically and horizontally centered at the space below the QR Scanning Camera Frame.  
**Colour**  Opaque White  
**Production** Inkjet on UV super clear transparent sticker with protective coating and computer cut round corners.

### ⑩ Bin Number and Hotline Information Lockup (Editable)

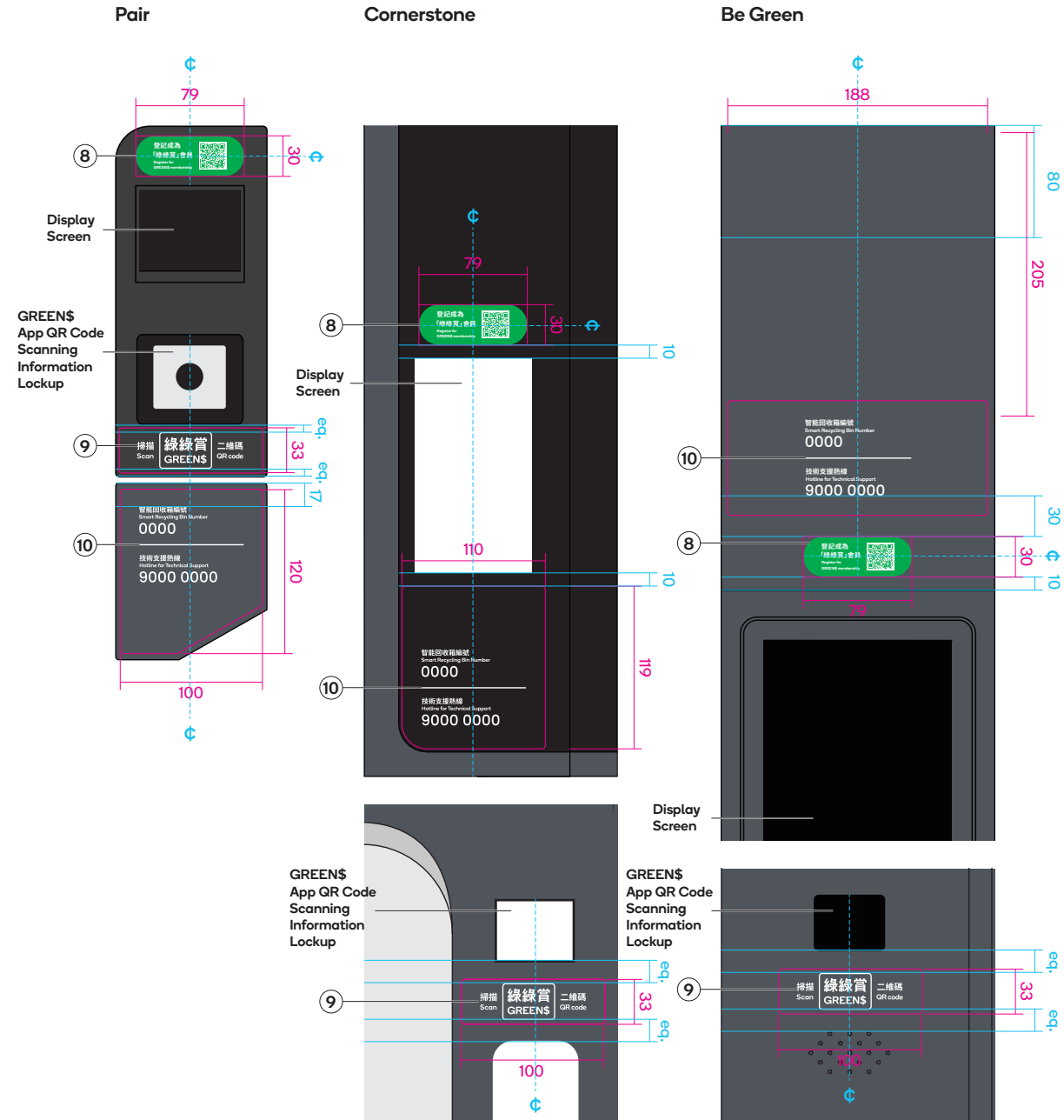
**Graphic Size** 56mm(h) x 76mm(w)  
**Position** Horizontally centered with the **Screen Casing Panel** on the lower part of the panel.  
 If space does not allow, can also be placed on the upper part of the panel (see Pair example).  
 Vertical position of the information lockup varies for different models of smart bins, please refer to the examples on the right for reference.  
**Colour**  Opaque White  
**Font** Poppins Medium in 30pt size and flush left  
**Production** Inkjet on UV super clear transparent sticker with protective coating and computer cut round corners.  
**Remarks** Supplier shall update the information with the specified font according to individual project.

## Legend

Measurement unit: mm — — Graphic Alignments — — Sticker Dimensions

## Remarks on Sticker Positioning

The sizes of stickers of items 9 & 10 are slightly smaller to the surrounding edges. The margins between the sticker and surrounding edges should be evenly distributed when positioning the sticker.



## Surface Graphic Artwork Index

### Front Panel

#### ① Food Waste Title Lockup

廚餘  
Food Waste

Smart Bin Surface Colour

#### ② Food Waste Logo



Smart Bin Surface Colour

### Side Panel

#### ③ Endorsement Logo Lockups



Smart Bin Surface Colour

#### ④ Pull Sign on Tray

拉  
Pull

Smart Bin Surface Colour

#### ⑤ Tray Title Lockup

托架 Tray  
最大承受5公斤  
Support max. 5kg

Smart Bin Surface Colour

Surface Graphic Artwork Index

Top Panel — Cover

⑥ Operation Hours Lockup (Editable components) — Format A

回收時間 07:00 上午 — 07:00 凌晨  
Operation Hours AM — AM

⑥ Operation Hours Lockup (Editable components) — Format B

回收時間 24 小時  
Operation Hours HOURS

Smart Bin Surface Colour

Top Panel — Screen Casing Panel

⑧ Green\$ App Download QR Code Bubble Sticker



Smart Bin Surface Colour

⑨ Green\$ App QR Code Scanning Lockup



Smart Bin Surface Colour

⑦ Sorting Information Lockup

廚餘 Food Waste

去除非廚餘物質·瀝乾水分  
Remove non-recyclable food waste · Drain off liquid

可回收 YES



不接受 NO



頂蓋會自動打開  
The top cover will open automatically



Smart Bin Surface Colour

⑩ Bin Number and Hotline Information Lockup (Editable)

智能回收箱編號  
Smart Recycling Bin Number  
0000

技術支援熱線  
Hotline for Technical Support  
9000 0000

Smart Bin Surface Colour